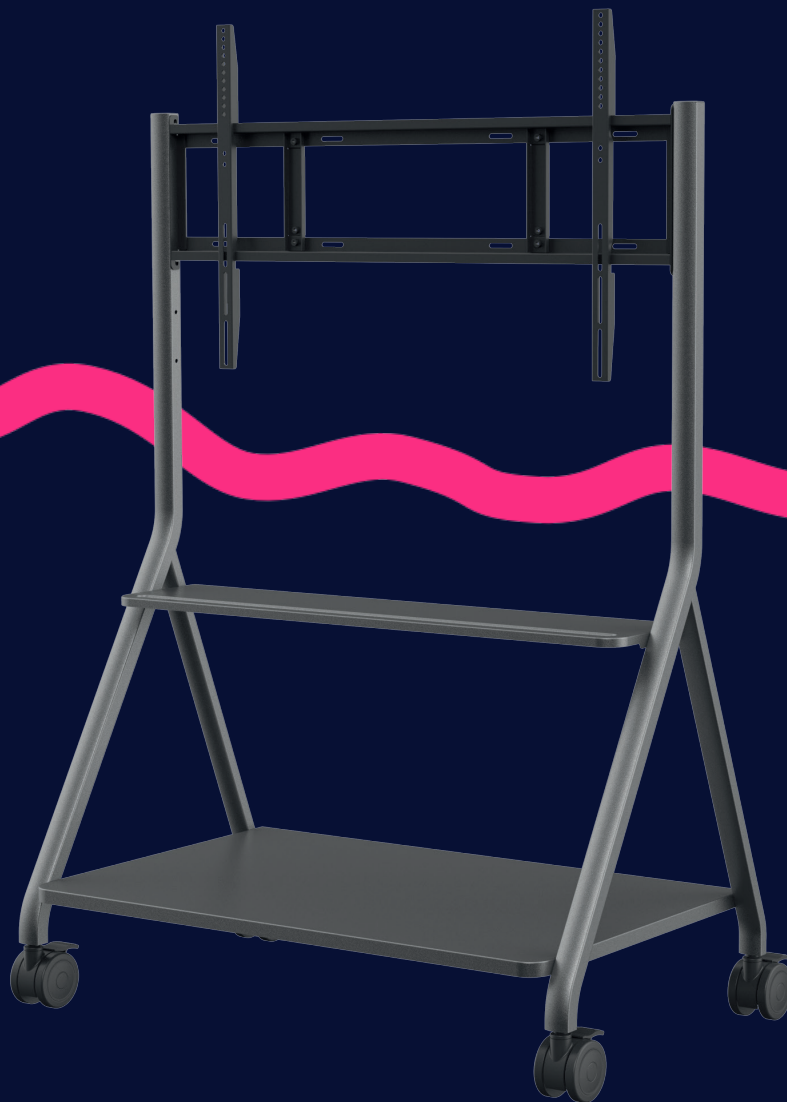


## CleverMobile Stand

The CleverMobile Stand is suitable for 55-86" display screens. It features simple hook-on installation making fitting a screen to the trolley quick and easy. Includes security locking screws to help prevent unauthorised removal of the screen, lateral adjustment along the length of the mount and integrated cable management.



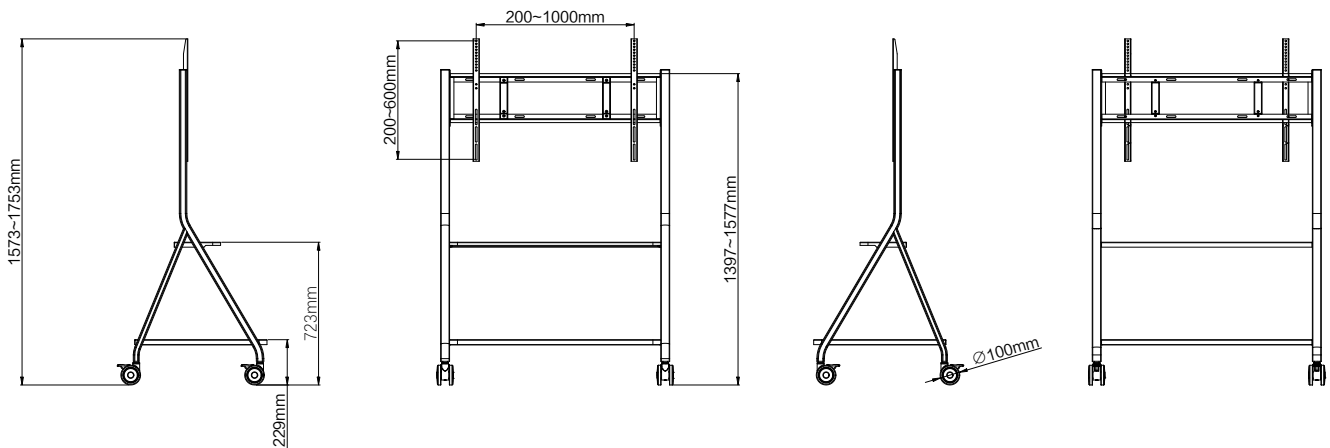
# CleverMobile Stand Specifications

## Key Benefits

|   |
|---|
| Designed for interactive displays up to 86"                 |
| Simple 'hook-on' installation                               |
| Lateral adjustment along the length of the mount            |
| Locking screws help prevent unauthorised removal of screens |
| Can be pole mounted to Ø50mm poles                          |
| All mounting hardware included                              |
| Integrated Cable Management                                 |

## Features

|  |   |
|--|---|
| <b>Length</b>                              | 1198mm  |
| <b>Net Weight</b>                          | 30.7kg  |
| <b>Gross Weight</b>                        | 36.2kg  |
| <b>Dimensions of package size (LxWxH)</b>  | 1610 x 790 x 190mm  |
| <b>Dimensions of assembled size(LxWxH)</b> | 1198 x 740 x 1753mm                                       |
| <b>Colour</b>                              | Grey (tube) Black (castors)                               |
| <b>Height adjustment</b>                   | Fixed height - 4 pre determined heights                   |
| <b>Maximum load</b>                        | 100kg   |
| <b>Castors</b>                             | 100mm castors - packaged in single box - easy to assemble |
| <b>Mobile/Fixed</b>                        | Mobile fixed height                                       |
| <b>Vesa</b>                                | 800 x 600   |



## Statement

Size and weight vary by configuration and manufacturing process, please refer to the actual product. The product images are for illustrative purposes only and may slightly differ in appearance, colour, size, etc. from the actual product. The description, illustrations, etc. in this document may subject to change in accordance with the latest product specification and performance. Should the above-mentioned change in the document become necessary, the document may be updated without written notice.

© 2021 Clevertouch. All rights reserved. Sahara Presentations Systems PLC. is part of the Boxlight group of companies, and the owner of trademarks in several global jurisdictions including but not limited to Clevertouch, the Clevertouch logo, UX Pro, IMPACT™, IMPACT Plus™, Impact MAX, CleverLive, LUX, Lynx, CleverMessage, Cleverstore and Clevershare. All third-party trademarks (including logos and icons) referenced by Clevertouch remain the property of their respective owners. Unless specifically identified as such, Clevertouch's use of third-party trademarks does not indicate any relationship, sponsorship, or endorsement between Clevertouch and the owners of these trademarks. Applicable Terms and Conditions for warranty and support available at [clevertouch.com/about/warranty](http://clevertouch.com/about/warranty). All weights and dimensions are approximate. Product specifications are subject to change without notice. Clevertouch.com.